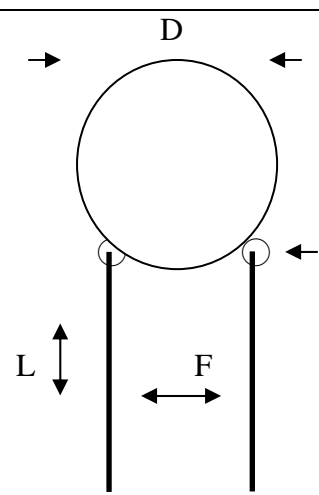
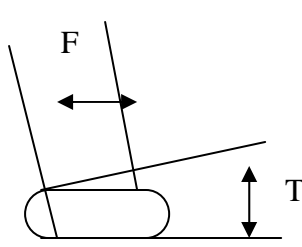
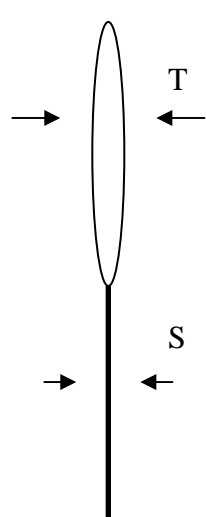
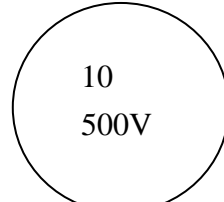


CAPACITOR SPECIFICATION

| | | | | | |
|---|---|--------------------|---|--|--|
| 料號: | PART NO 料 號 | 10J/500V/NPO | | | |
| ELECTRICAL SPEC. 電氣規格 | PRODUCT SPEC 產品外觀 | | | | |
| CAPACITANCE: TOL: 電 容 量 10PF 誤差+/-5% | D | 5.8mm MAX |  | | |
| TEMP.CHAR/COEF: TOL: NPOU 溫度 特性/係數 | F | 5.08mm+/- 1mm | | | |
| D.F. 散逸因數: <0.5% AT TEST: Q 品質因數 FREQ. | L | 28mm MAX | | | |
| I.R. TEST:50V 絕緣阻抗: Voltage:> 1GΩ | | | | | |
| WORKING VOLTAGE: 500 VDC | LADE SIZE | 0.5mm+/- 0.05mm | | | |
| BREAKDOWN VOLTAGE: 1K VDC | T | 3.5mmMAX | | | |
| MARKING 打 印 |  <p>(UNIT:mm)</p> | |  | | |
|  | | | | | |
| ONE SIDE MARKING 單面打印 V | | | | | |
| TWO SIDE MARKING 雙面打印 | | | | | |
| COLAR CODE 色 碼 | | | | | |
| COATION 塗 裝: 濕式塗裝 DUREZ***** 乾式塗裝 EPOXY 藍 粉 BLUE 黃 粉 YELLOW | PACKING 包 裝 散 裝 BULK***** 捲 裝 T/R 盒 裝 AMMO | | 物 料 規 格 | | |
| REVISION 修 正 | DATE | | | | |