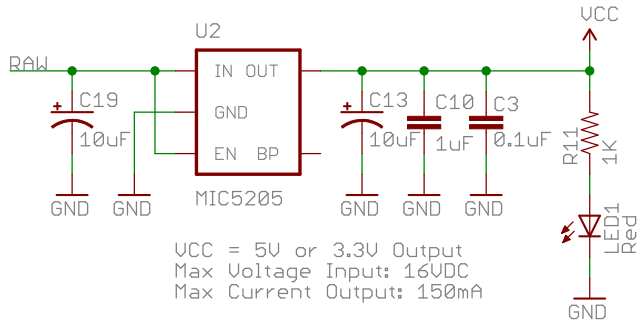


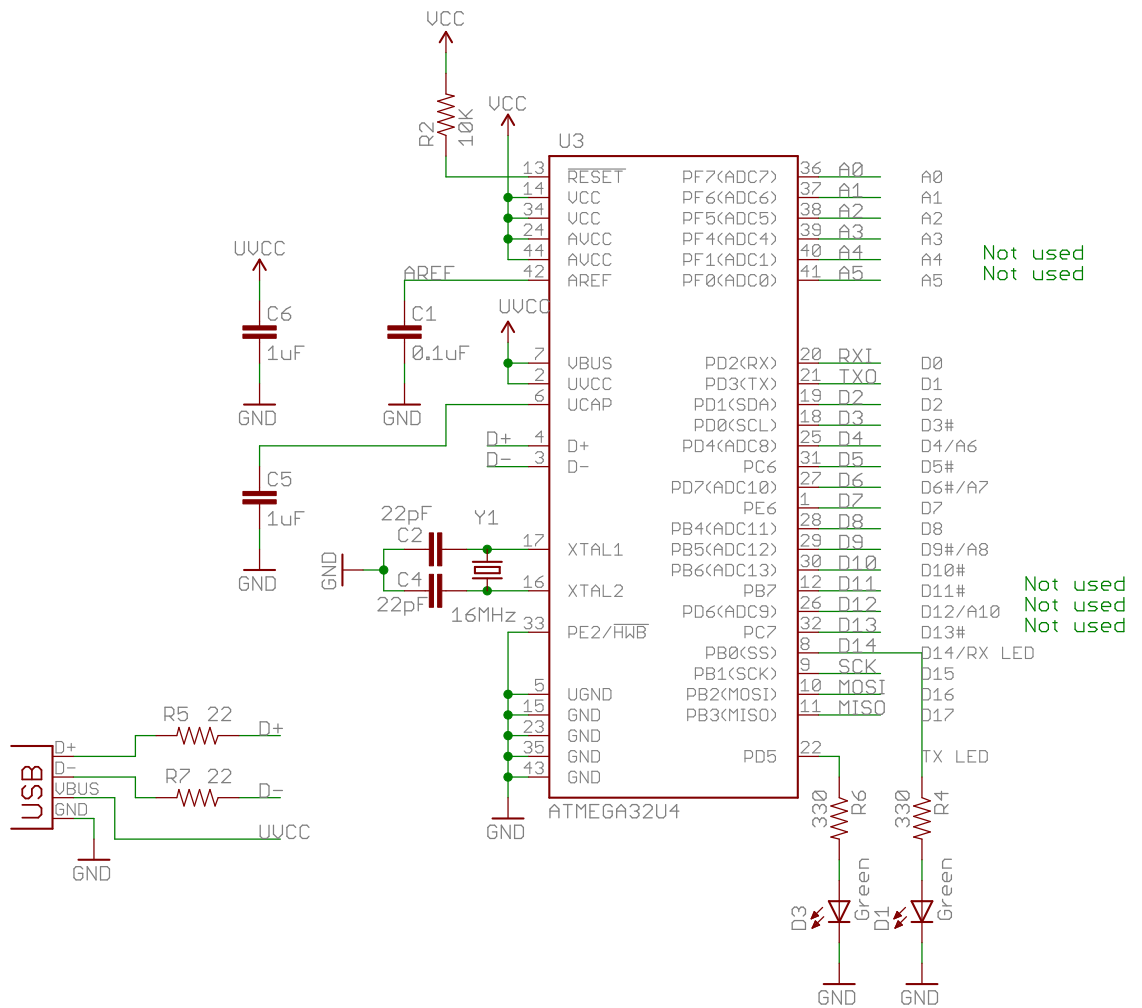
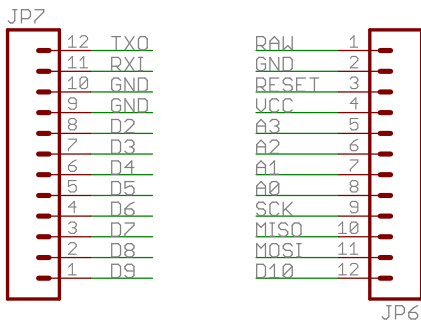


Cut this jumper if powering the board with more than 5.5V



UCC = 5V or 3.3V Output
Max Voltage Input: 16VDC
Max Current Output: 150mA

Board is marked with combination of resonator frequency and regulator voltage.



Released under the Creative Commons Attribution Share-Alike 3.0 License
<http://creativecommons.org/licenses/by-sa/3.0>
 Design by:
 Original Arduino Mini Design by Team Arduino
 Arduino Pro Mini Design by Spark Fun Electronics
 Pro Micro Design by Spark Fun Electronics



⊗	
⊗	
TITLE: Pro-Micro-v10	
SFE	
Document Number:	
REV:	
Date: 11/3/2011 3:50:39 PM	Sheet: 1/1