

12 KEY ALPHA NUMERIC KEYPAD

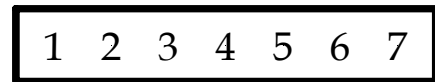
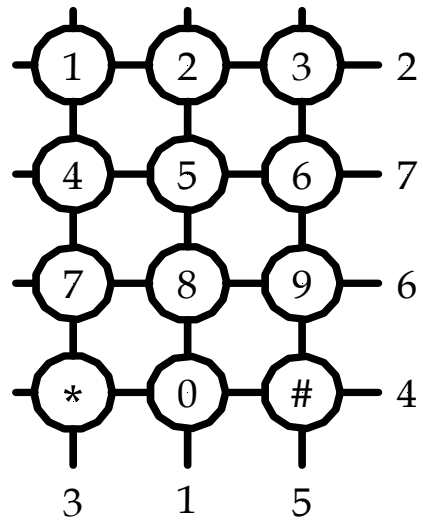
3 X 4 MATRIX



1 2 3 4 5 6 7

Specifications:

Contact Rating: 20mA, 24VDC
 Contact Resistance: 200ohms Max
 Life: 1,000,000 cycles per key
 Contact: Conductive Rubber
 Size (Key Face): 44(W) x 54(H) x 5(D)mm



Pinouts Viewed from Front

16 KEY ALPHA NUMERIC KEYPAD

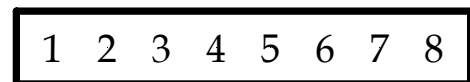
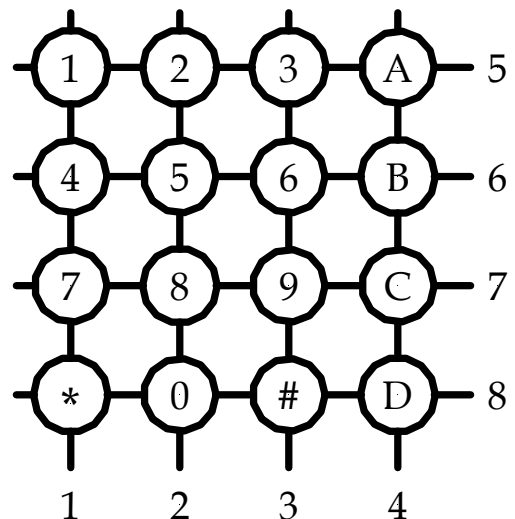
4 X 4 MATRIX



1 2 3 4 5 6 7 8

Specifications:

Contact Rating: 20mA, 24VDC
 Contact Resistance: 200ohms Max
 Life: 1,000,000 cycles per key
 Contact: Conductive Rubber
 Size (Key Face): 60(W) x 59(H) x 7(D)mm



Pinouts Viewed from Front

16 KEY NUMERIC MEMBRANE KEYPAD

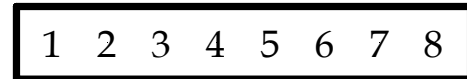
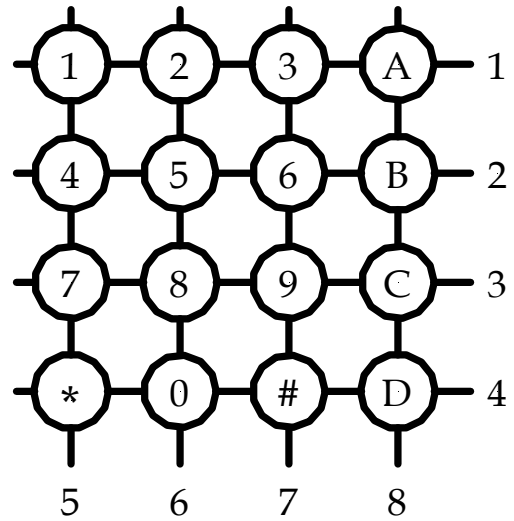
4 X 4 MATRIX



1 2 3 4 5 6 7

Specifications:

Contact Rating: 100mA, 35VDC
 Contact Resistance: 0ohms
 Life: 1,000,000 cycles per key
 Contact: Metal membrane
 Size (Key Face): Size 70(W) x 77(H) x 0.8mm(D)



Pinouts Viewed from Front

16 KEY NUMERIC KEYPAD

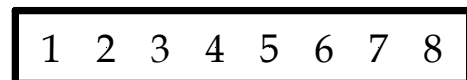
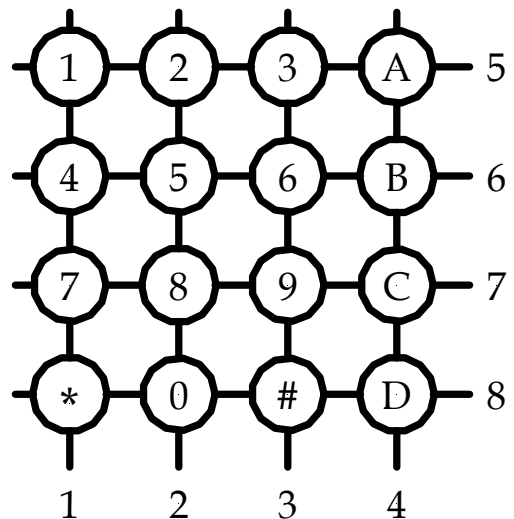
4 X 4 MATRIX



1 2 3 4 5 6 7 8

Specifications:

Contact Rating: 20mA, 24VDC
 Contact Resistance: 200ohms Max
 Life: 1,000,000 cycles per key
 Contact: Conductive Rubber
 Size (Key Face Cutout): 60(W) x 56.75(H) x 3.5(D)



Pinouts Viewed from Front