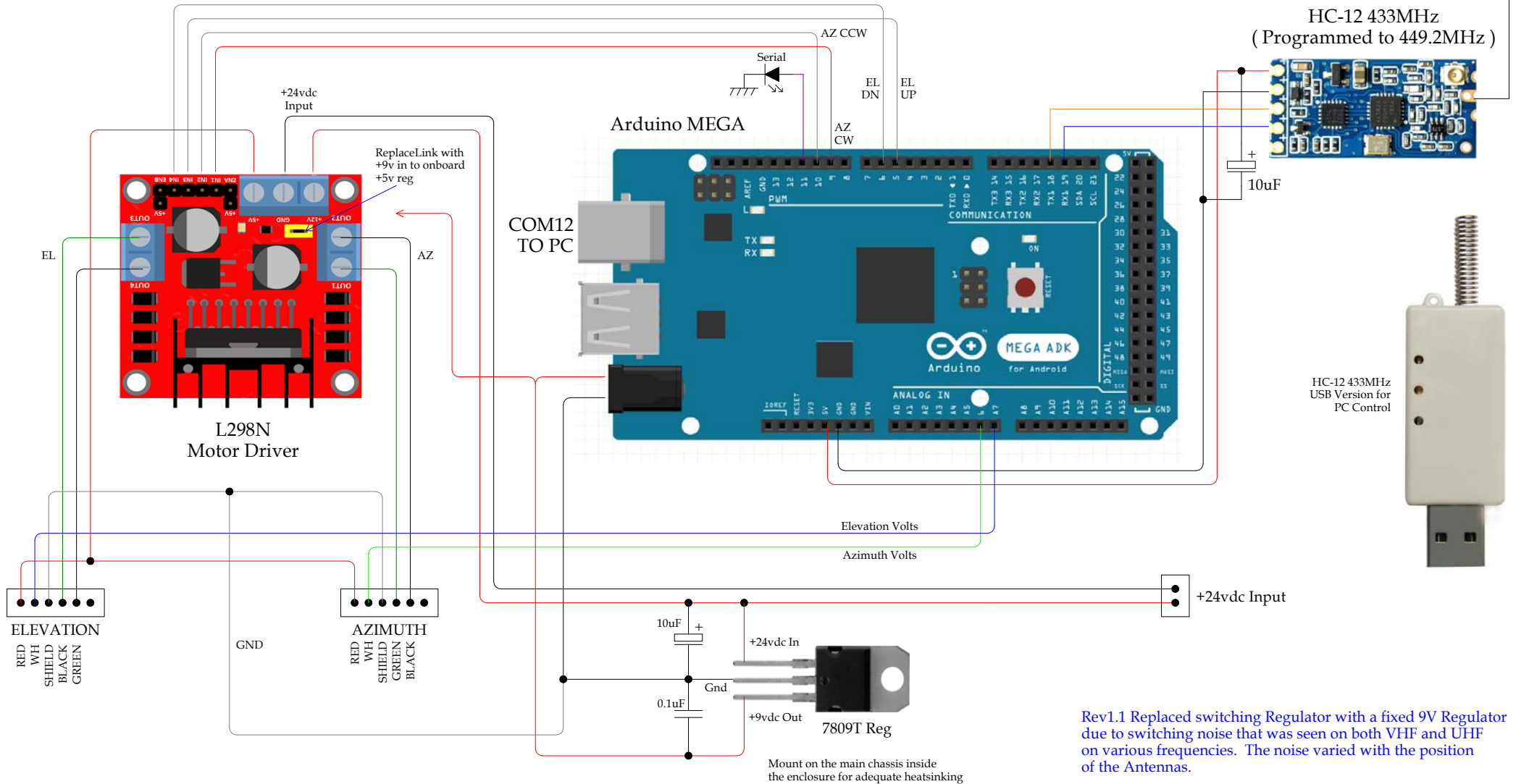


HC-12 requires a 10uF cap across the +5V supply for stability  
 Requires 43 material ferrites on Arduino motor drive and analogue input wiring to reduce noise on VHF



Rev1.1 Replaced switching Regulator with a fixed 9V Regulator due to switching noise that was seen on both VHF and UHF on various frequencies. The noise varied with the position of the Antennas.

HC-05 Bluetooth replaced with a more reliable link using HC-12 modules programmed to 449.2MHz 1200 baud.

## Mini-Kits Modified K3NG SAT

DRAWN	MINI-KITS
DATE	8-1-2024
PROJECT	Satellite Station
FILE	K3NG-Rotator-Sat-Rev1.1.SKF