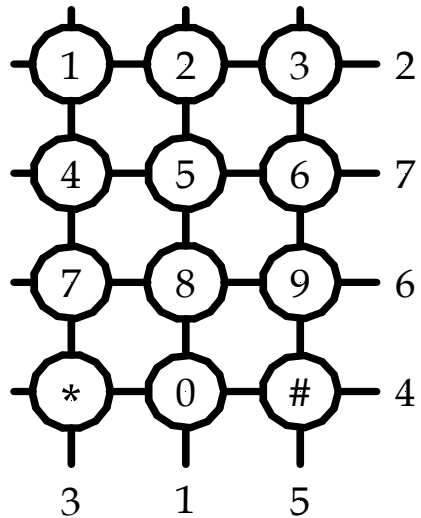


12 KEY ALPHA NUMERIC KEYPAD

3 X 4 MATRIX



1 2 3 4 5 6 7



1 2 3 4 5 6 7

Pinouts Viewed from Front

Specifications:

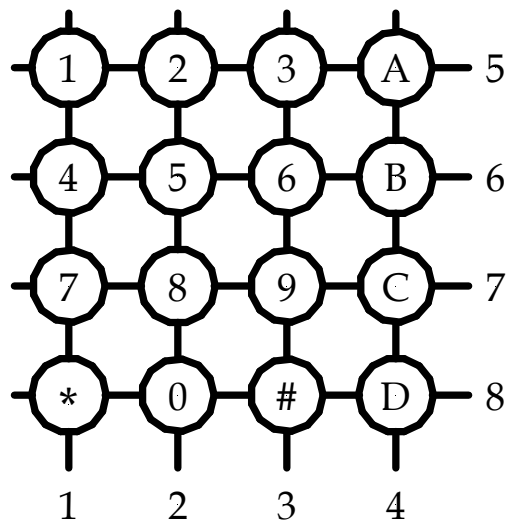
Contact Rating: 20mA, 24VDC
 Contact Resistance: 200ohms Max
 Life: 1,000,000 cycles per key
 Contact: Conductive Rubber
 Size (Key Face): 44(W) x 54(H) x 5(D)mm

16 KEY ALPHA NUMERIC KEYPAD

4 X 4 MATRIX



1 2 3 4 5 6 7 8



1 2 3 4 5 6 7 8

Pinouts Viewed from Front

Specifications:

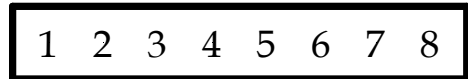
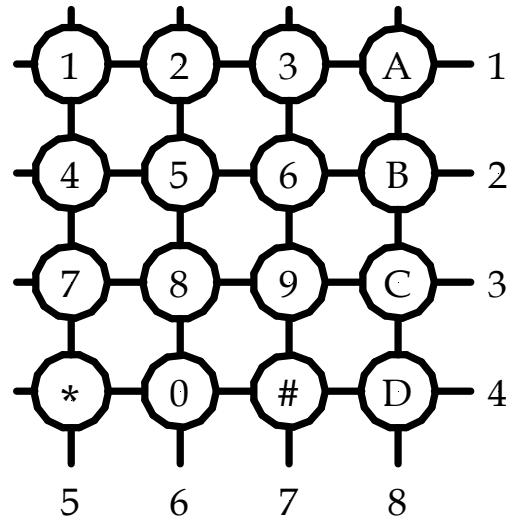
Contact Rating: 20mA, 24VDC
 Contact Resistance: 200ohms Max
 Life: 1,000,000 cycles per key
 Contact: Conductive Rubber
 Size (Key Face): 65(W) x 59(H) x 7(D)mm

16 KEY NUMERIC MEMBRANE KEYPAD

4 X 4 MATRIX



1 2 3 4 5 6 7



Pinouts Viewed from Front

Specifications:

- Contact Rating: 100mA, 35VDC
- Contact Resistance: 0ohms
- Life: 1,000,000 cycles per key
- Contact: Metal membrane
- Size (Key Face): Size 70W) x 77(H) x 0.8mm(D)