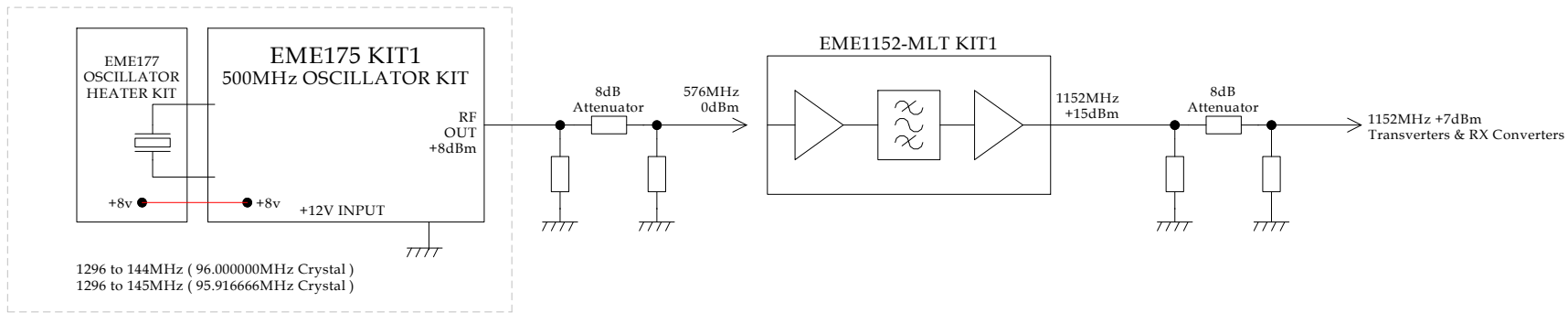
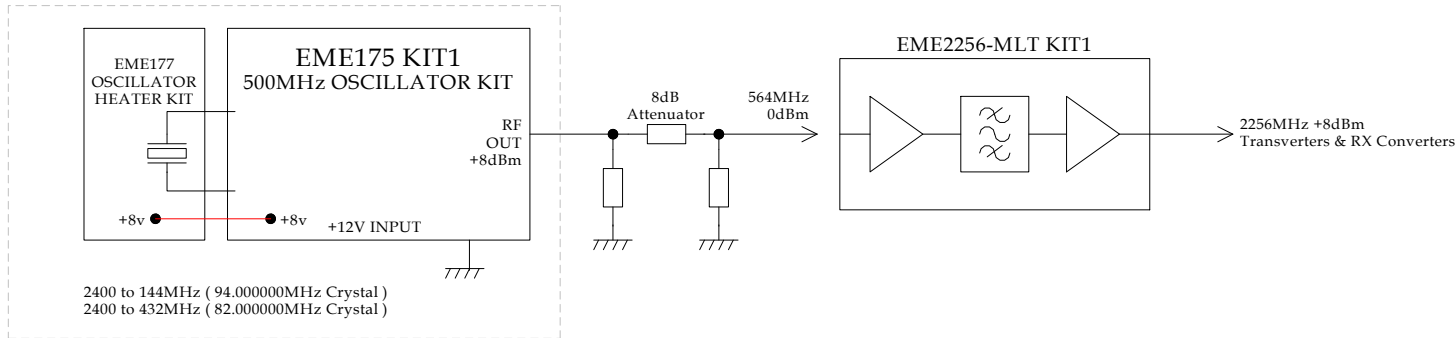


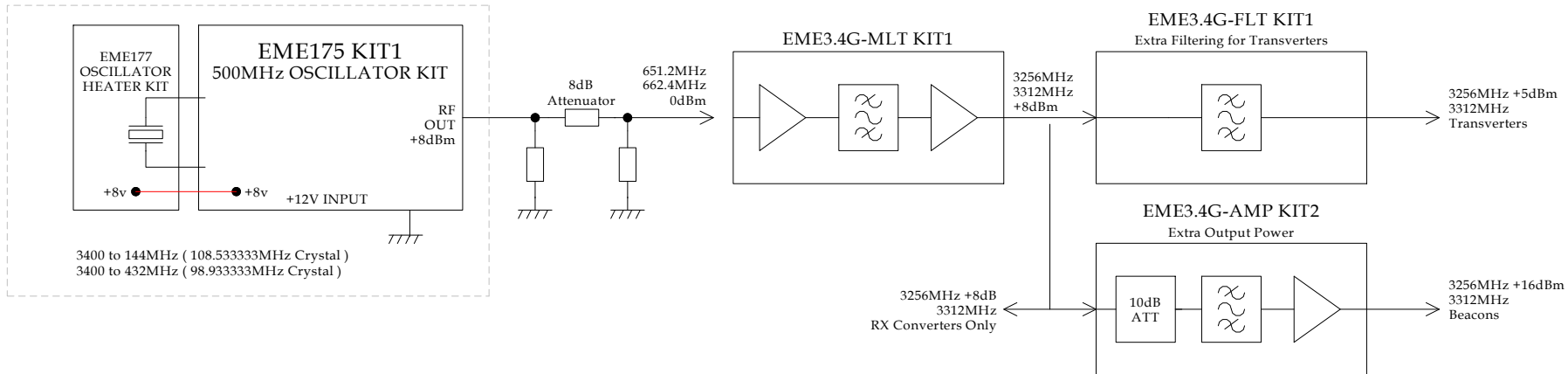
1.2GHz



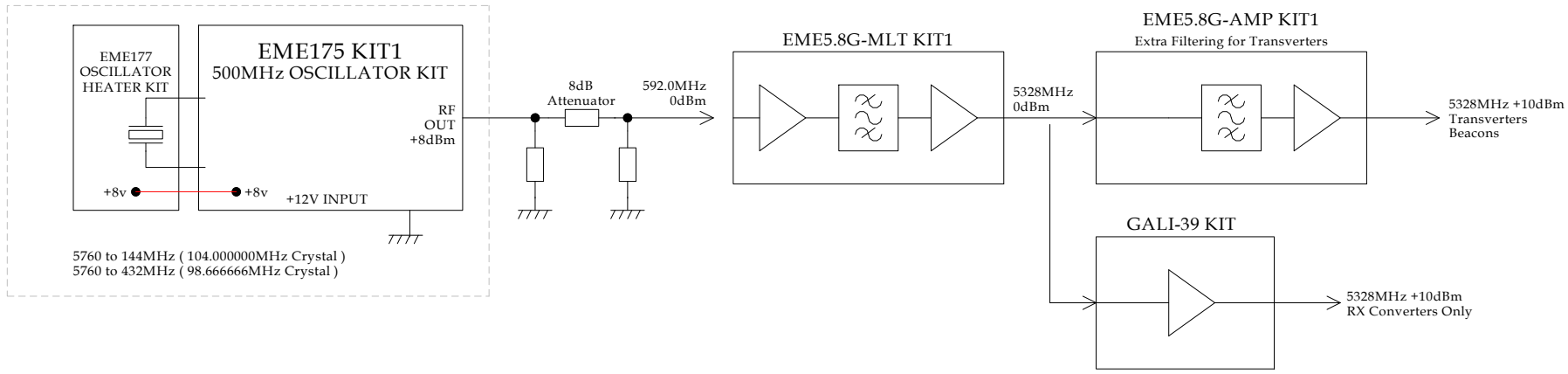
2.4GHz



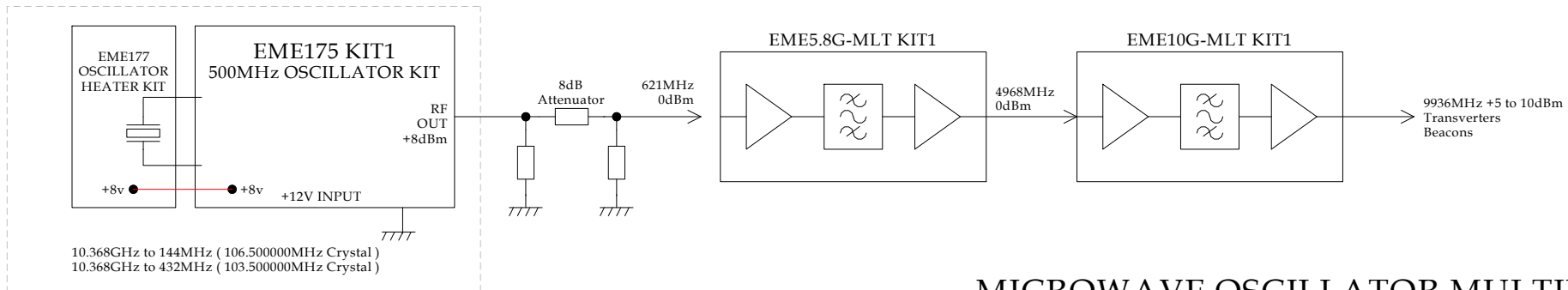
3.4GHz



5.8GHz



10GHz



DRAWN MINI-KITS
 DATE 21-04-2014
 PROJECT EME171 KITS
 FILE MULTIPLIER BLOCK.SKF
 PROTECT COPYRIGHT MINI-KITS 2014

MICROWAVE OSCILLATOR MULTIPLIER BLOCKS