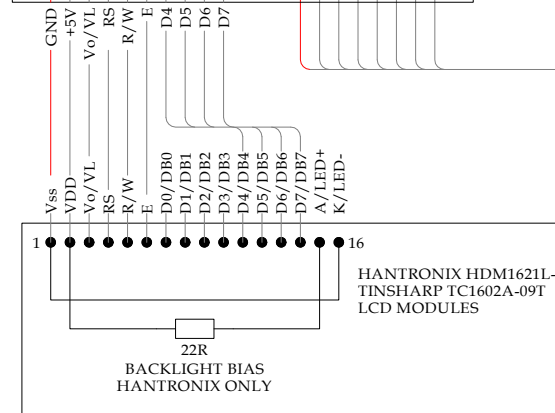
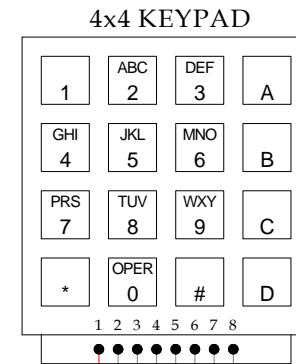
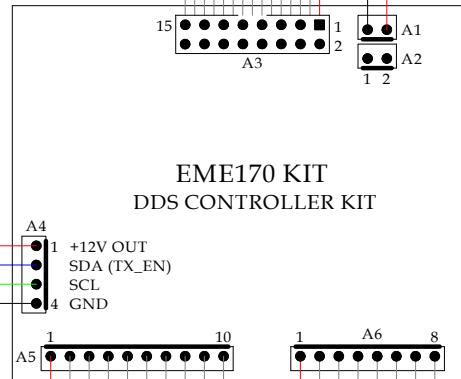


OPTIONAL POWER HEAD KIT  
(SWEEP SOFTWARE ONLY)



PTT SWITCH  
(DDS VFO SOFTWARE ONLY)



## DDS VFO KIT BLOCK

REFER TO THE LCD MANUFACTURERS DATA SHEET  
FOR THE CORRECT WIRING CONNECTIONS

DRAWN MINI-KITS  
DATE 31-1-2012  
PROJECT DDS\_VFO KIT  
FILE DDS\_VFO BLOCK.SKF  
PROTECT COPYRIGHT MINI-KITS 2012