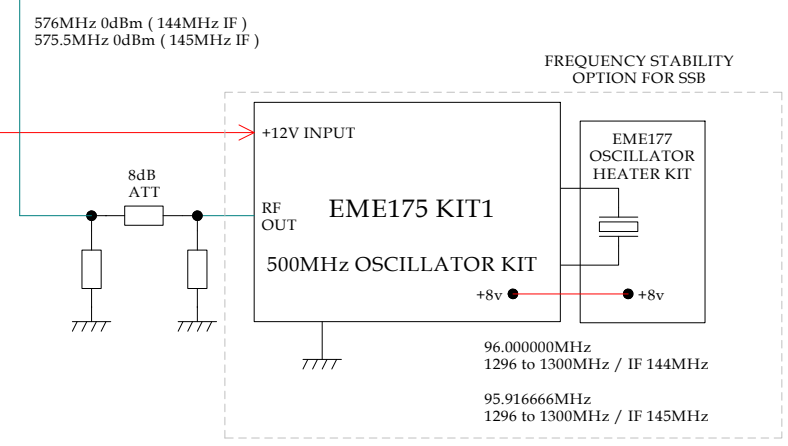


REDUCE DRIVE LEVEL TO SUIT THE PA MODULE

23CM TRANSVERTER BLOCK



DRAWN MINI-KITS
 DATE 2-5-2013
 PROJECT 23CM TRANSVERTER
 FILE 23CM TRV2013 BLOCK.SKF
 PROTECT COPYRIGHT MINI-KITS 2013